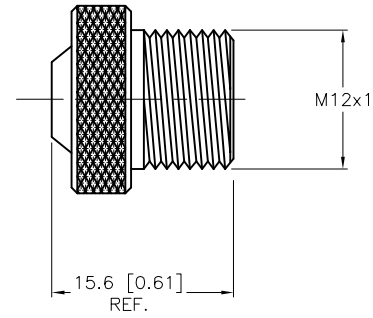
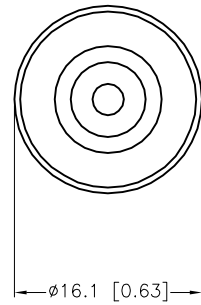


SPECIFICATIONS

CAP MATERIAL

STAINLESS STEEL



SOURCE DRAWING - FOR REFERENCE ONLY

RELATED DOCUMENTS		3RD ANGLE PROJECTION	THIS DRAWING IS CONFIDENTIAL AND THE PROPERTY OF TURCK INC. USE OF THIS DOCUMENT WITHOUT WRITTEN PERMISSION IS PROHIBITED.		3000 CAMPUS DRIVE MINNEAPOLIS, MN 55441 1-800-544-7769 (763) 553-7300 (763) 553-0708 fax www.turck.us	
1.			DRFT	JB	DATE	02/10/03
2.			APVD		SCALE	1 = .0
3.		ALL DIMENSIONS DISPLAYED ON THIS DRAWING ARE FOR REFERENCE ONLY	UNIT OF MEASUREMENT		DESCRIPTION	
4.			MILLIMETER [INCH]		RSV-MC	
MATERIAL		CONTACT TURCK FOR MORE INFORMATION	DO NOT SCALE THIS DRAWING		IDENTIFICATION NO.	REV
SEE SPECIFICATIONS					U0905-7	C
FINISH			FILE: U0905-7		SHEET 1 OF 1	
SEE SPECIFICATIONS						

C	REMOVE SCREW	TR	04/28/23	500000008172
REV	DESCRIPTION	BY	DATE	ECO NO.